



ARCS FOCUS

CONSTANT CURVATURE WST ENCLOSURE

The **ARCS® FOCUS** is a constant curvature WST® enclosure. Within the ARCS WIDE and FOCUS family, it is designed to generate a narrow coverage combined to a high SPL.

The ARCS FOCUS loudspeaker enclosure is based on a 2-way passive design with a nominal impedance of 8 ohms. It features one 12" LF speaker in a bass-reflex tuned enclosure and one 3" diaphragm compression driver coupled to a DOSC® waveguide. The cabinet is made of first grade Baltic birch plywood for optimum acoustical and mechanical integrity. A pole-mount socket receptacle is integrated into the cabinet and allows mounting the enclosure on top of an SB18m subwoofer.

The ARCS FOCUS operates over a nominal frequency range of 55 Hz to 20 kHz. This response can be extended down to 32 Hz with the SB18m subwoofer. The DOSC HF waveguide generates a 15° x 90° symmetric directivity pattern.

Coupling bars allow arraying ARCS FOCUS enclosures as a line with constant curvature, either vertically or horizontally. The DOSC waveguide in the HF region allows the system to be arrayed without breaking the inter-element acoustic coupling. The WST criteria are then fulfilled, so that such an array can be qualified as a true line source. Any WST line source provides a smooth tonal response and a coverage that is free of secondary lobes over the entire frequency range.

The ARCS FOCUS is driven and amplified by the LA4X or the LA8 controller. These ensure system linearization, protection, and optimization for the loudspeaker system.



Usable bandwidth (-10 dB) 55 Hz - 20 kHz ([ARCS_WIFO] preset)

Maximum SPL¹ 137 dB ([ARCS_WIFO] preset)

Coverage angle (-6 dB) 15° x 90°

Transducers LF: 1 x 12", weather-resistant, bass-reflex
HF: 1 x 3", diaphragm compression driver, DOSC waveguide

Nominal impedance 8 Ω

RMS power handling 450 W

Connectors IN: 1 x 4-point SpeakOn®
LINK: 1 x 4-point SpeakOn®

Rigging components Rigging rails and WIFORIG rigging bars

Physical data

W x H/h x D 365/252 x 759 x 444 mm 14.4/9.9 x 29.9 x 17.5 in

Weight (net) 38 kg 84 lb

Cabinet Baltic birch plywood.

Finish Dark Grey brown PANTONE 426C

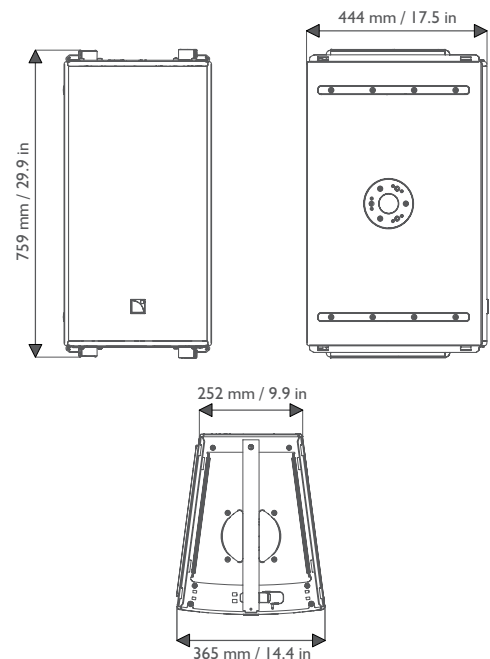
Pure white RAL 9010®

Custom RAL code on special order

Front Steel grill with anti-corrosion coating, Airnet® fabric

Protection Rating IP55

Rigging components High strength steel with anti-corrosion coating



¹ Peak level at 1 m under free field conditions using 10 dB crest factor pink noise with specified preset.